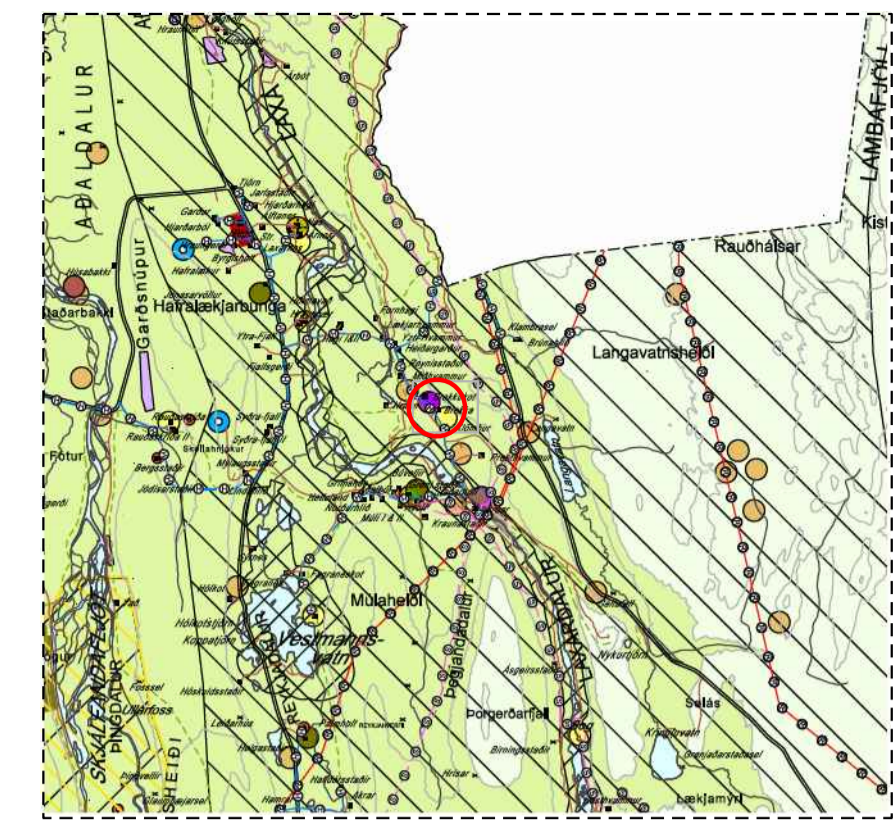


Deiliskipulag íbúðarsvæða (A og B) yfirlitsuppráttur í landi Brekku, Þingeyjarsveit, Suður-Þingeyjarsýslu

Mkv. 1/1.200 í blaðstærð A1



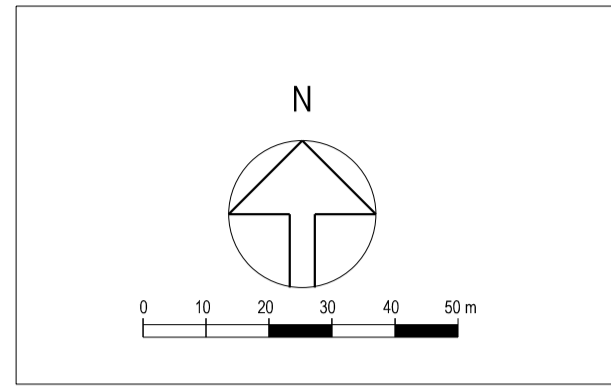
Adalskipulag Þingeyjarsveitar 2010-2022 -mkv. 1:100.000 -Staðfest-

Fornleifaskráning á svæði B SP-230 Brekka

1712: "Jarðarsýrjónir xvi ff. og so hlundast prests og látaðum." JÁM. 215. 1493. Jörðin nefnd í bréfi. DÍ VII. 168.
Tún 3,2 ha, 9'10 slett. Sáðreitir 400 m². -Tunakort. "Enginn spíllur Láva til störs skada út supra. Uthagarir eru bjarglegir fyrir sauðfé en mjög haglillir fyrir stórþjál." JÁM. 215.

Minjar eru eftirfarandi:

Staður	Ástand	Hnit
SP-230 001	þjáfarhöll bústaður	stórhaetta, vegna framkvæmda X=576299,0700 Y=594505,9100
SP-230 001b		X=576109,7200 Y=594527,0100
SP-230 004	Fjárhúsið hömild um fjárhús	stórhaetta, vegna framkvæmda X=576262,5000 Y=594536,0900
SP-230 005	Gæðhúsið hömild um gættakofa	stórhaetta, vegna framkvæmda X=576152,3200 Y=594462,8100
SP-230 010	garðlag tungarbrú	stórhaetta, vegna framkvæmda X=576243,6400 Y=594320,1100
SP-230 019a	garðlag landamerki	stórhaetta, vegna framkvæmda X=576153,1100 Y=594113,6100
SP-230 019b		X=576173,4200 Y=594112,2300
SP-230 019c		X=576197,2900 Y=594136,6900
SP-230 019d		X=576305,5700 Y=594256,2100
SP-230 019e		X=576373,4200 Y=594325,6400
SP-230 021	hömild um kað	stórhaetta, vegna framkvæmda X=575994,5300 Y=594424,6500
SP-230 024b		X=575994,1400 Y=594333,3300



Hnitaskrá lóðamarka á svæði A

Númer	Axlar	Númer	Axlar
LM1	N:594539,72 E:576174,03	LM25	N:594562,21 E:576388,27
LM2	N:594579,79 E:576193,06	LM26	N:594710,32 E:576397,47
LM3	N:594766,61 E:576585,76	LM27	N:594876,09 E:576513,38
LM4	N:594381,884 E:576174,312	LM28	N:594841,47 E:576397,89
LM5	N:594303,47 E:576382,29	LM29	N:594910,29 E:576194,43
LM6	N:594382,714 E:576174,03	LM30	N:594910,29 E:576194,43
LM7	N:594372,271 E:576174,03	LM31	N:594938,38 E:576393,33
LM8	N:594712,40 E:576171,74	LM32	N:594938,38 E:576393,33
LM9	N:594712,40 E:576171,74	LM33	N:594938,38 E:576393,33
LM10	N:594898,58 E:576171,74	LM34	N:594938,38 E:576393,33
LM11	N:594724,027 E:576393,33	LM35	N:594938,38 E:576393,33
LM12	N:594765,33 E:576393,33	LM36	N:594938,38 E:576393,33
LM13	N:594776,19 E:576393,33	LM37	N:594938,38 E:576393,33
LM14	N:594722,57 E:576393,33	LM38	N:594938,38 E:576393,33
LM15	N:594887,1 E:576393,33	LM39	N:594938,38 E:576393,33
LM16	N:594749,79 E:576393,33	LM40	N:594938,38 E:576393,33
LM17	N:594749,79 E:576393,33	LM41	N:594938,38 E:576393,33
LM18	N:594898,58 E:576393,33	LM42	N:594938,38 E:576393,33
LM19	N:594898,58 E:576393,33	LM43	N:594938,38 E:576393,33
LM20	N:594712,40 E:576393,33	LM44	N:594938,38 E:576393,33
LM21	N:594898,58 E:576393,33	LM45	N:594938,38 E:576393,33
LM22	N:594898,58 E:576393,33	LM46	N:594938,38 E:576393,33
LM23	N:594898,58 E:576393,33	LM47	N:594938,38 E:576393,33
LM24	N:594898,58 E:576393,33	LM48	N:594938,38 E:576393,33

Hnitaskrá byggingarreita á svæði B

Númer	Axlar	Númer	Axlar
BR1	X:576136,7091 Y:594507,5587	BR2	X:576142,8513 Y:594506,9573
BR3	X:576137,6586 Y:594482,2465	BR4	X:576136,5423 Y:594486,8540
BR5	X:576189,8200 Y:594440,0144	BR6	X:576203,7640 Y:594426,8118
BR7	X:576182,0258 Y:594430,8964	BR8	X:576185,5997 Y:594419,2837
BR9	X:576182,0258 Y:594430,8964	BR10	X:576182,0258 Y:594430,8964
BR11	X:576203,7640 Y:594426,8118	BR12	X:576203,7640 Y:594426,8118
BR13	X:576203,7640 Y:594426,8118	BR14	X:576203,7640 Y:594426,8118
BR15	X:576203,7640 Y:594426,8118	BR16	X:576203,7640 Y:594426,8118
BR17	X:576203,7640 Y:594426,8118	BR18	X:576203,7640 Y:594426,8118
BR19	X:576203,7640 Y:594426,8118	BR20	X:576203,7640 Y:594426,8118
BR21	X:576203,7640 Y:594426,8118	BR22	X:576203,7640 Y:594426,8118
BR23	X:576203,7640 Y:594426,8118	BR24	X:576203,7640 Y:594426,8118
BR25	X:576203,7640 Y:594426,8118	BR26	X:576203,7640 Y:594426,8118
BR27	X:576203,7640 Y:594426,8118	BR28	X:576203,7640 Y:594426,8118
BR29	X:576203,7640 Y:594426,8118	BR30	X:576203,7640 Y:594426,8118
BR31	X:576203,7640 Y:594426,8118	BR32	X:576203,7640 Y:594426,8118
BR33	X:576203,7640 Y:594426,8118	BR34	X:576203,7640 Y:594426,8118
BR35	X:576203,7640 Y:594426,8118	BR36	X:576203,7640 Y:594426,8118
BR37	X:576203,7640 Y:594426,8118	BR38	X:576203,7640 Y:594426,8118
BR39	X:576203,7640 Y:594426,8118	BR40	X:576203,7640 Y:594426,8118
BR41	X:576203,7640 Y:594426,8118	BR42	X:576203,7640 Y:594426,8118
BR43	X:576203,7640 Y:594426,8118	BR44	X:576203,7640 Y:594426,8118
BR45	X:576203,7640 Y:594426,8118	BR46	X:576203,7640 Y:594426,8118
BR47	X:576203,7640 Y:594426,8118	BR48	X:576203,7640 Y:594426,8118
BR49	X:576203,7640 Y:594426,8118	BR50	X:576203,7640 Y:594426,8118
BR51	X:576203,7640 Y:594426,8118	BR52	X:576203,7640 Y:594426,8118
BR53	X:576203,7640 Y:594426,8118	BR54	X:576203,7640 Y:594426,8118
BR55	X:576203,7640 Y:594426,8118	BR56	X:576203,7640 Y:594426,8118
BR57	X:576203,7640 Y:594426,8118	BR58	X:576203,7640 Y:594426,8118
BR59	X:576203,7640 Y:594426,8118	BR60	X:576203,7640 Y:594426,8118
BR61	X:576203,7640 Y:594426,8118	BR62	X:576203,7640 Y:594426,8118
BR63	X:576203,7640 Y:594426,8118	BR64	X:576203,7640 Y:594426,8118
BR65	X:576203,7640 Y:594426,8118	BR66	X:576203,7640 Y:594426,8118
BR67	X:576203,7640 Y:594426,8118	BR68	X:576203,7640 Y:594426,8118
BR69	X:576203,7640 Y:594426,8118	BR70	X:576203,7640 Y:594426,8118
BR71	X:576203,7640 Y:594426,8118	BR72	X:576203,7640 Y:594426,8118
BR73	X:576203,7640 Y:594426,8118	BR74	X:576203,7640 Y:594426,8118
BR75	X:576203,7640 Y:594426,8118	BR76	X:576203,7640 Y:594426,8118
BR77	X:576203,7640 Y:594426,8118	BR78	X:576203,7640 Y:594426,8118
BR79	X:576203,7640 Y:594426,8118	BR80	X:576203,7640 Y:594426,8118
BR81	X:576203,7640 Y:594426,8118	BR82	X:576203,7640 Y:594426,8118
BR83	X:576203,7640 Y:594426,8118	BR84	X:576203,7640 Y:594426,8118
BR85	X:576203,7640 Y:594426,8118	BR86	X:576203,7640 Y:594426,8118
BR87	X:576203,7640 Y:594426,8118	BR88	X:576203,7640 Y:594426,8118
BR89	X:576203,7640 Y:594426,8118	BR90	X:576203,7640 Y:594426,8118
BR91	X:576203,7640 Y:594426,8118	BR92	X:576203,7640 Y:594426,8118
BR93	X:576203,7640 Y:594426,8118	BR94	X:576203,7640 Y:594426,8118
BR95	X:576203,7640 Y:594426,8118	BR96	X:576203,7640 Y:594426,8118
BR97	X:576203,7640 Y:594426,8118	BR98	X:576203,7640 Y:594426,8118
BR99	X:576203,7640 Y:594426,8118	BR100	X:576203,7640 Y:594426,8118

Byggingarreitr

Byggingarreitr	Stærðir
Fb-hús 5	30 m x 15 m
Fb-hús 7	25 m x 17 m
Fb-hús 8	22 m x 19 m
Fb-hús 9	24 m x 18 m
Fb-hús 10	21 m x 17 m
Fb-hús 11	28 m x 21 m
Fb-hús 12	25 m x 10 m
Fb-hús 13	18 m x 12 m
Fb-hús 14	18 m x 12 m

Hnit þegar byggðar hús

○ B1	X:576144,6500 Y:594441,8000
○ B2	X:576155,2000 Y:594463,5000
○ B3	X:576151,3000 Y:594458,0000
○ B4	X:576149,9999 Y:594466,3000
○ B5	X:576167,8000 Y:594462,5000
○ B6	X:576178,2000 Y:594448,5000
○ B7	X:576174,2000 Y:594444,0000
○ B8	X:576163,8000 Y:594453,0000
○ B9	X:576163,8000 Y:594453,0000
○ B10	X:576163,8000 Y:594453,0000
○ B11	X:576163,8000 Y:594453,0000
○ B12	X:576163,8000 Y:594453,0000
○ B13	X:576163,8000 Y:594453,0000
○ B14	X:576163,8000 Y:594453,0000
○ B15	X:576163,8000 Y:594453,0000
○ B16	X:576163,8000 Y:594453,0000
○ B17	X:576163,8000 Y:594453,0000
○ B18	X:576163,8000 Y:594453,0000
○ B19	X:576163,8000 Y:594453,0000
○ B20	X:576163,8000 Y:594453,0000

Hnit vegar

○ V1	X:576126,5192 Y:594474,8274
○ V2	X:576126,1647 Y:594467,0232
○ V3	X:576129,0381 Y:594457,5087
○ V4	X:576130,9850 Y:594448,1081
○ V5	X:576131,3550 Y:594440,0059
○ V6	X:576132,0465 Y:594429,0381
○ V7	X:576117,3407 Y:594419,1073
○ V8	X:576126,1048 Y:594422,1032
○ V9	X:576129,0000 Y:594353,0000
○ V10	X:576129,0000 Y:594353,0000

SKÝRINGAR

- NÚVERANDI MANNVIKI
- FYRIRHUGUÐ MANNVIKI (á byggjar)
- MANNVIKI
- SKÝRINGAREITIR
- BLÁSTÆÐ

LOÐIR

- LOÐIR
- ROTIR
- LÓÐARNÚMÉR
- BYGGINGARREITUR
- MÖRK SKIPULAGSSVÆDES
- GÖNGUSTIGAR
- VEGIR Á SKIPULAGSSVÆÐI
- SAMERKENLEIÐ BLÁSTÆÐ

BR = Byggingarreitur
 ■ Mannvirki sem þegar eru byggð á svæðinu.
 ■ Mannvirki sem fyrirhugað er að byggja á svæðinu; - til skýringar -

Lóðir á svæði B

Lóð nr. 1.
Stærð: 2.903 fm
Aðstaða verktaka

LM48 X:576333,3246 Y:594542,4901
 LM49 X:576371,2454 Y:594577,6361
 LM50 X:576371,4971 Y:594501,3038
 LM51 X:576387,4149 Y:594516,0599
 LM54 X:576109,4179 Y:594536,4498

Lóð nr. 2.
Stærð: 825 fm
Íbúðarhús

LM50 X:576371,4971 Y:594501,3038
 LM51 X:576387,4149 Y:594516,0599
 LM52 X:576113,2459 Y:594488,1865
 LM53 X:576387,3281 Y:594473,4334

Lóð nr. 3.
Stærð: 1.137 fm
Veitingaraðst. m.m.

LM51 X:576387,4149 Y:594516,0599
 LM52 X:576113,2459 Y:594488,1865
 LM54 X:576109,4179 Y:594536,4498
 LM55 X:576125,7090 Y:594425,8437

Lóð nr. 4.
Stærð: 1830 fm
Hús verktaka

LM56 X:576153,4104 Y:594492,8288
 LM57 X:576193,4037 Y:594460,1796
 LM58 X:576170,9920 Y:594432,7249
 LM59 X:576130,9987 Y:594465,3720

Lóð nr. 5.
Stærð: 8.945 fm
Ferðapjónusta I

LM50 X:576371,4971 Y:594501,3038
 LM52 X:576113,2459 Y:594488,1865
 LM53 X:576387,3281 Y:594473,4334
 LM55 X:576125,7090 Y:594425,8437
 LM56 X:576153,4104 Y:594492,8288
 LM57 X:576193,4037 Y:594460,1796
 LM58 X:576170,9920 Y:594432,7249
 LM59 X:576130,9987 Y:594465,3720

Lóð nr. 6.
Stærð: 20.355 fm
Ferðapjónusta II

LM59 X:576130,9987 Y:594465,3720
 LM61 X:576304,7142 Y:594391,4385
 LM62 X:576308,8674 Y:594397,0586
 LM63 X:576125,7090 Y:594425,8437
 LM68 X:576170,9920 Y:594432,7249
 LM67 X:576193,4037 Y:594460,1796
 LM64 X:576247,9421 Y:594415,0591
 LM65 X:576130,8117 Y:594281,9726